

# R4 HUME

# EXECUTIVE SEATING



» **COLOUR**

Black PU

» **FEATURES**

#### HUME-H/ HUME-L

- » Adjustable seat height
- » Adjustable seat and back angle
- » Adjustable weight tension
- » Adjustable arms
- » High density foam
- » 700mm Aluminium base
- » Synchron mechanism with 3 locking positions
- » Available in black PU only
- » 5 Year warranty
- » Weight limit is 120kg

#### HUME-VC

- » Chrome frame
- » High density foam
- » Available in black PU only
- » 5 Year warranty
- » Weight limit is 120kg

# HUME



HUME-H

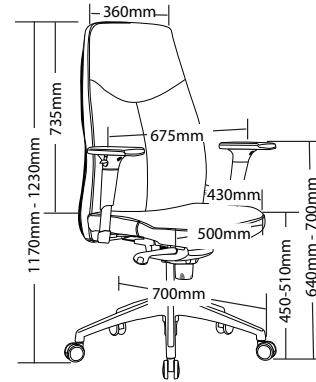


HUME-L

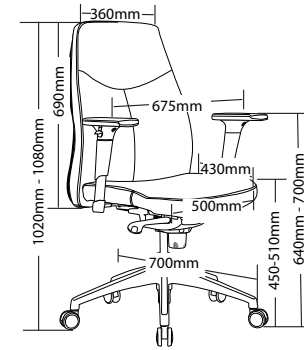


HUME-VC

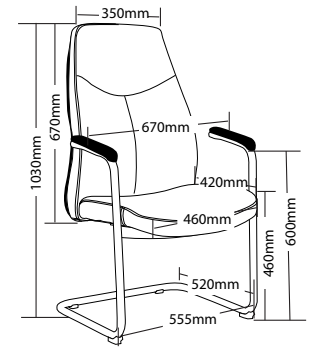
## SIZE



HUME-H



HUME-L



HUME-VC

## INSTRUCTIONS OF USE



**Five-star Base and Castors**  
Use soft tyred castors for tiles  
Use hard tyred castors for carpet

